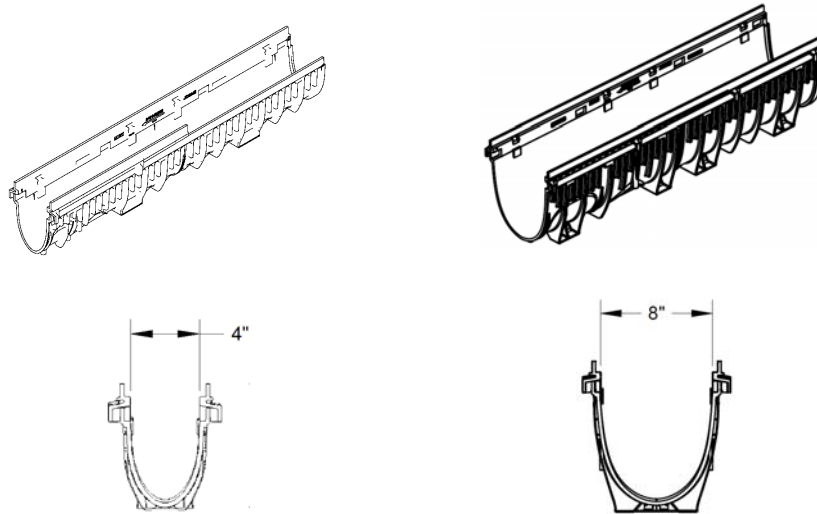


Pro-Plus 100, 200

Trench drain channels in accordance with EN 1433



Material Properties

Material:	Sheet Molding Compound Glass-Fiber Reinforced Polyester
Compressive Strength:	150 N/mm ² [21800 psi] (ISO14126)
Tensile Strength:	65 N/mm ² [9400 psi] (ISO527)
Flexural Strength:	120 N/mm ² (17400 psi) (ISO14125)
Thermal Expansion:	1.5-2.0 x 10 ⁻⁵ 1/K (8.3 x 10 ⁻⁶ in/in/°F)
Heat Resistance:	100°C (212°F) Consistent 200°C (392°F) Intermittent
Freeze Resistance:	-35°C (-31°F)
Water Absorption:	<0.1% (ISOR178)
Material Structure:	Capillary-free

 **WARNING:** Cancer and Reproductive Harm - www.p65warnings.ca.gov