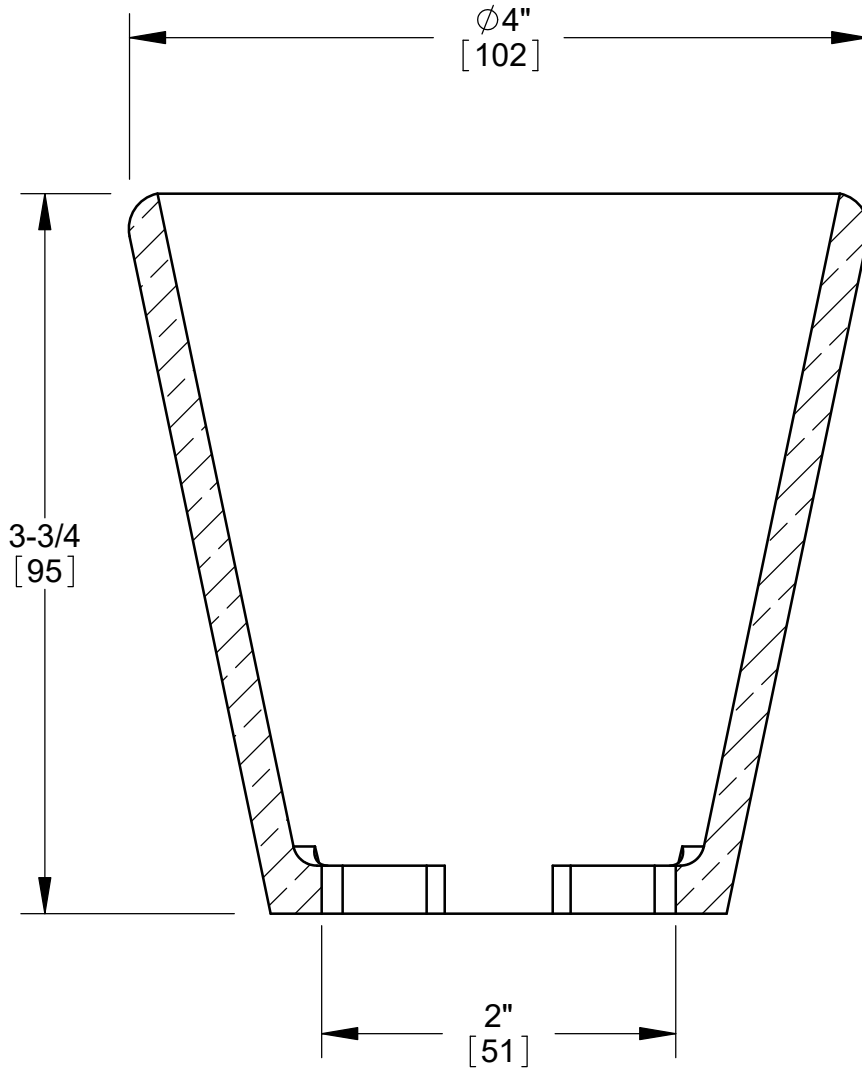
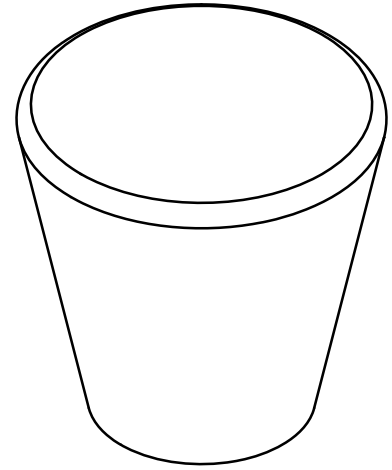


**SPECIFICATION:**

JOSAM SERIES "F4" SATIN FINISH NIKALOY ROUND FUNNEL FOR ATTACHMENT TO ANY FLAT GRATE BY SECURING SCREWS (SCREWS NOT SHOWN)

**FLOOR DRAIN  
FUNNEL**

SERIES **F4**



-2	SATIN FINISH BRONZE
-92	GALVANIZED CAST IRON
-93	CAST IRON

WARNING: Cancer and Reproductive Harm - www.P65Warnings.ca.gov

DATE OF LAST CHANGE: 07/13/18

DIMENSIONS ARE SUBJECT TO MANUFACTURERS TOLERANCES AND CHANGE WITHOUT NOTICE. WE CAN ASSUME NO RESPONSIBILITY FOR USE OF SUPERSEDED OR VOID DATA.



MICHIGAN CITY, INDIANA

NOTES