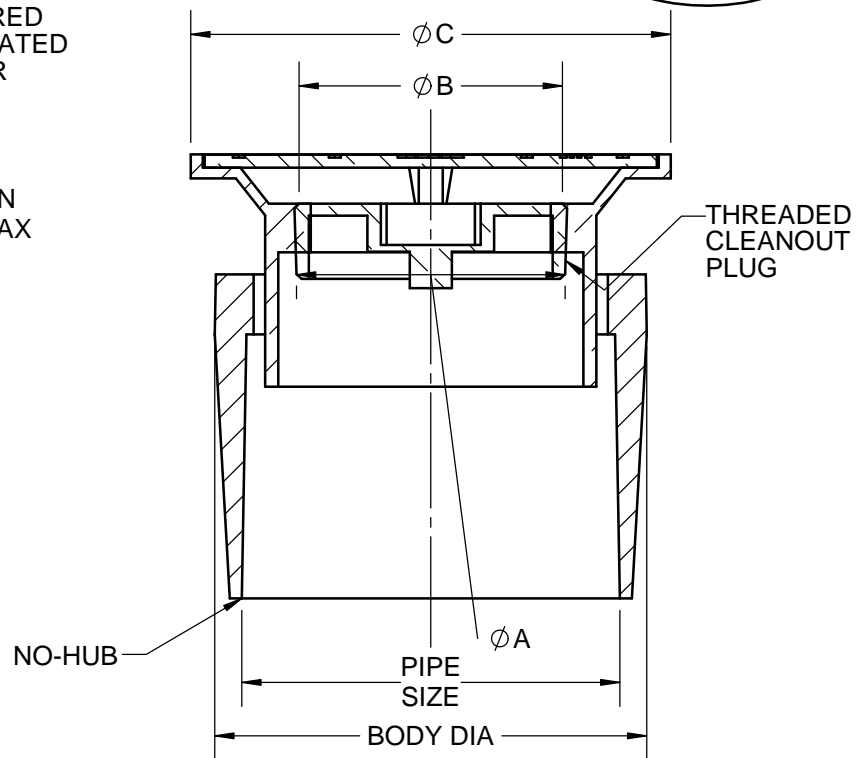
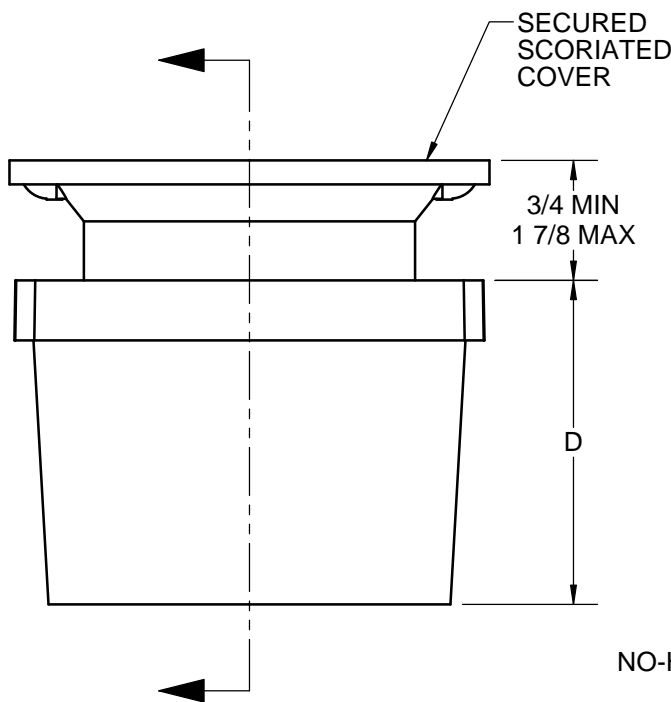
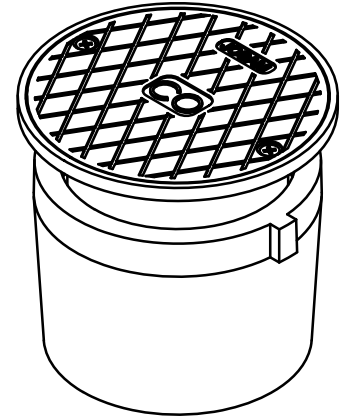


SPECIFICATION:

JOSAM 58360 SERIES COATED CAST IRON FERRULE AND ADJUSTABLE CAST NIKALOY FLOOR CLEANOUT, INTEGRAL BRONZE COUNTERESUNK PLUG AND SOLID SCORIATED SECURED ROUND COVER.

**CLEANOUT
ADJUSTABLE FLOOR
CLEANOUT**

SERIES **58360**



PIPE SIZE	A	B	C	D
2"-Z	2	1-1/2	4	4-1/2
3"-Z	2	1-1/2	4	3-1/8
4"-Z	3	2-3/4	5	3-3/8
5"-Z	3	2-3/4	5	4-1/4
6"-Z	3	2-3/4	5	4-1/4

PIPE SIZE	A	B	C	D	BODY DIA.
2"-Y	2	1-1/2	4	3-1/8	3-3/8
3"-Y	3	2-3/4	5	3-3/8	4-1/2
4"-Y	3	2-3/4	5	4-1/4	6

GASKET ON -Y CONNECTION
CONFORMS WITH ASTM-C564

-2	SATIN FINISH BRONZE TOP
-14	CARPET CLEANOUT MARKER
-31	GALVANIZED CAST IRON PARTS
-VP	SECURED COVER, VANDAL-PROOF SCREWS
-Y	HUB OUTLET W/GASKET (2"-4" SIZES) ONLY
-Z	NO-HUB SPIGOT OUTLET

DATE OF LAST CHANGE: 5/23/18

DIMENSIONS ARE SUBJECT TO MANUFACTURERS TOLERANCES AND CHANGE WITHOUT NOTICE. WE CAN ASSUME NO RESPONSIBILITY FOR USE OF SUPERSEDED OR VOID DATA.

JOSAM

MICHIGAN CITY, INDIANA

NOTES

WARNING: Cancer and Reproductive Harm - www.P65Warnings.ca.gov