

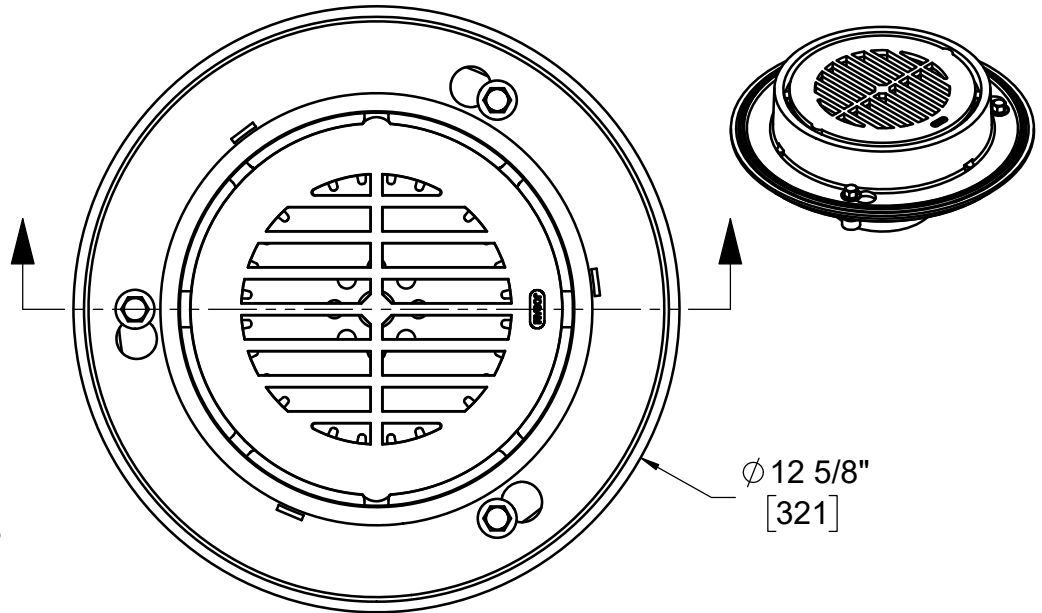
SPECIFICATION:

JOSAM 32100-81 SERIES COATED CAST IRON FLOOR DRAIN, TWO-PIECE BODY WITH DOUBLE DRAINAGE FLANGE, WEJLOC NON-PUNCTURING FLASHING COLLAR, WEEPHOLES, BOTTOM OUTLET, ROUND TOP WITH REMOVABLE SEDIMENT BUCKET WHICH SUPPORTS A MEDIUM-DUTY LOOSE-SET ANTI-TILTING SUPER-FLO GRATE WITH PERIMETER DRAINAGE SLOTS.

FLOOR DRAIN
9" ROUND TOP, SUPER-FLO

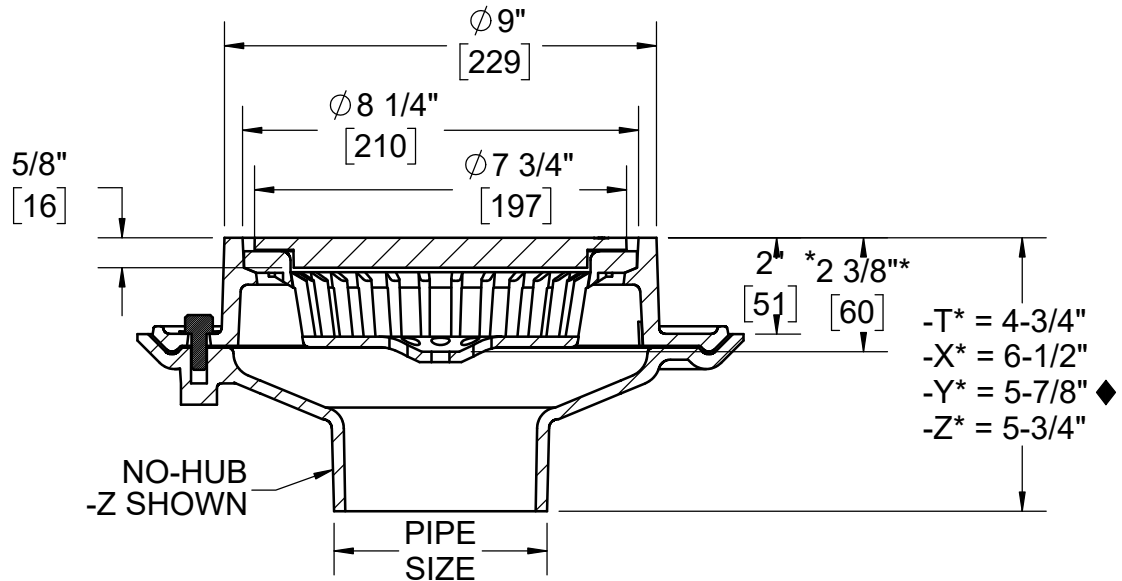
SERIES **32100-81**

GRATE FREE AREA: 22 SQ. IN.
STD. CI SLOT WIDTH: 1/2"
-1 AND -2 SLOT WIDTH: 3/16"
(MEETS ADA AND HEEL PROOF)



*ADD 1/4" WHEN FURNISHED WITH NIKALOY OR BRONZE TOP (-1 OR -2)

◆ GASKET CONFORMS WITH ASTM-C564



PIPE SIZE
2"
3"
4"
6"

	-AE	LEVELZEZE ADJUSTABLE EXTENSION
X	-81	SLOTTED CAST IRON BUCKET
	-TG	TRACTOR GRATE
	-1	SATIN FINISH NIKALOY TOP
	-2	SATIN FINISH BRONZE TOP
	-7	DUCTILE IRON GRATE
	-15	CHAINED GRATE
	-VP	SECURED GRATE, VANDAL-PROOF
	-ARE	ACID-RESISTING EPOXY
	-44	FIXED EXTENSION, CAST IRON (2" STD OR SPECIFY HEIGHT)
	-44-92	FIXED EXTENSION, GALVANIZED (2" STD. OR SPECIFY HEIGHT)

	-49	3/4" PRIMER TAP
	-50	1/2" PRIMER TAP
	-66	NO-HUB SIDE OUTLET
	-84	STAINLESS STEEL MESH BUCKET LINER
	-88	SUPPLEMENTARY STRAINER
	-92	GALVANIZED CAST IRON PARTS
	-T	THREADED OUTLET
	-X	INSIDE CAULK OUTLET
	-Y	HUB OUTLET WITH GASKET
	-Z	NO-HUB OUTLET

SEE 32100 SUBMITTAL FOR OTHER DIMENSIONS, DETAILS, AND OPTIONS.

WARNING: Cancer and Reproductive Harm - www.P65Warnings.ca.gov

DATE OF LAST CHANGE: 07/23/18

DIMENSIONS ARE SUBJECT TO MANUFACTURERS TOLERANCES AND CHANGE WITHOUT NOTICE. WE CAN ASSUME NO RESPONSIBILITY FOR USE OF SUPERSEDED OR VOID DATA.

JOSAM
MICHIGAN CITY, INDIANA

NOTES