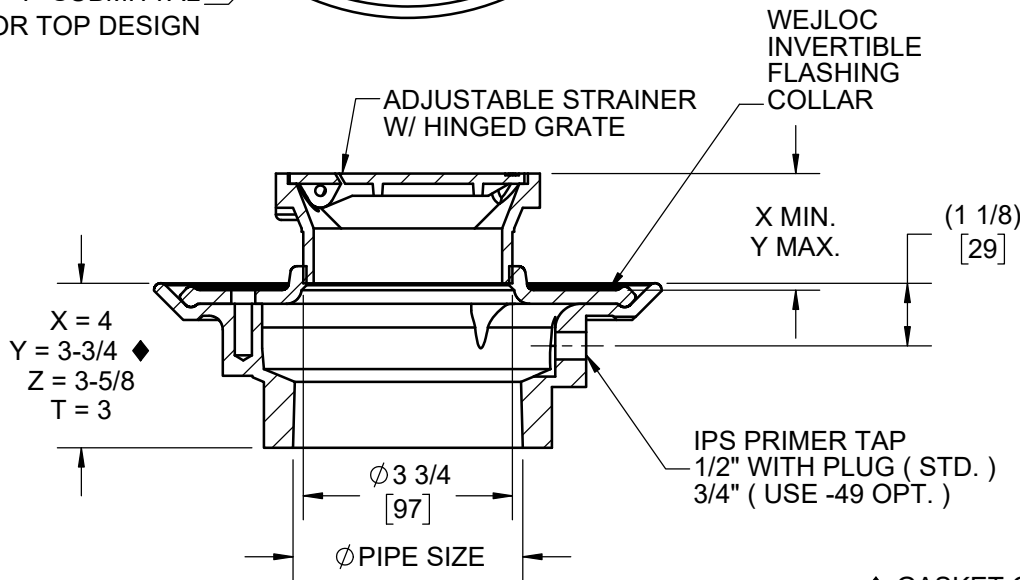
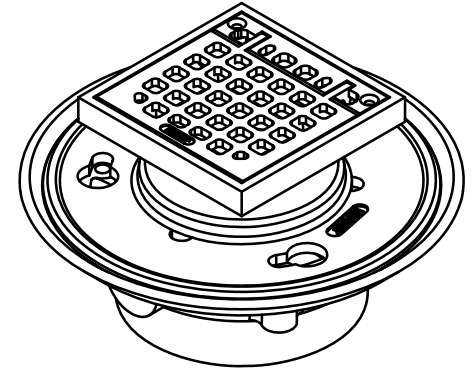
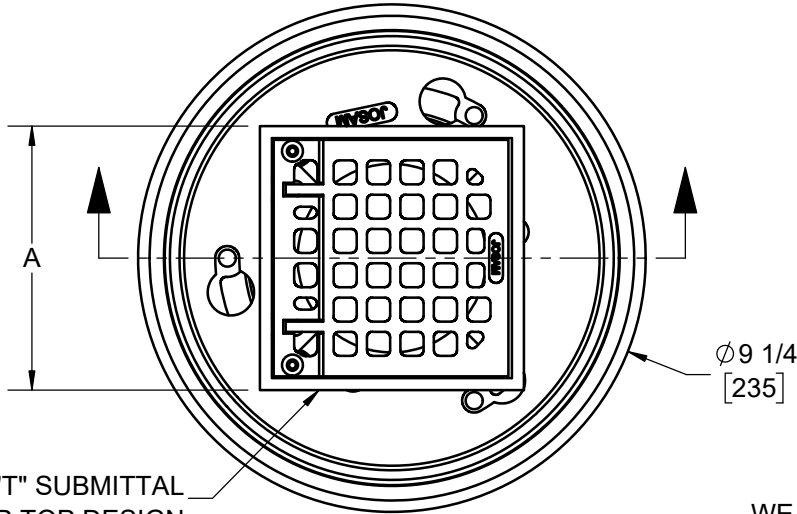


SPECIFICATION:

JOSAM SERIES 30000-T CAST IRON FLOOR DRAIN, TWO-PIECE BODY WITH DOUBLE DRAINAGE FLANGE AND 1/2" PRIMER TAP, WEJLOC® INVERTIBLE FLASHING COLLAR, WEEPHOLES, BOTTOM OUTLET CONNECTION AND NIKALOY ADJUSTABLE SQUARE HINGED GRATE.

**FLOOR DRAIN
ADJUSTABLE FLOOR DRAIN**

SERIES **30000-T**



◆ GASKET ON -Y CONNECTION CONFORMS WITH ASTM-C564

	STRAINER	DIA. B	X	Y	FREE AREA
	-5T	4-13/16	1 1/4	2-1/8	6.5
	-6T	6	1-3/8	2-1/8	8.3
	-9T	9	1-1/2	2-1/2	28.6

	2"	PIPE SIZE			-J	BACKWATER VALVE
	3"	PIPE SIZE			-PD	PRISON DRAIN (2" & 3" SIZES ONLY)
	4"	PIPE SIZE			-SC	SOLID COVER (6T SIZE ONLY)
					-ST	WITH SHALLOW TRAP (2" & 3" SIZES ONLY)
	-2	BRONZE ADJUSTABLE STRAINER			-TSO	THREADED SIDE OUTLET
	-49	3/4" PRIMER TAP			-VP	SECURED GRATE
	-80	PERFORATED STAINLESS STEEL BASKET				
	-91	ROUGH BRONZE BODY			-T	THREADED OUTLET
	-92	GALVANIZED CAST IRON PARTS			-X	INSIDE CAULK OUTLET
					-Y	HUB OUTLET WITH GASKET ◆
	-ARE	ACID-RESISTING EPOXY			-Z	NO-HUB SPIGOT OUTLET

DATE OF LAST CHANGE: 07/24/18

DIMENSIONS ARE SUBJECT TO MANUFACTURERS TOLERANCES AND CHANGE WITHOUT NOTICE. WE CAN ASSUME NO RESPONSIBILITY FOR USE OF SUPERSEDED OR VOID DATA.

JOSAM
MICHIGAN CITY, INDIANA

NOTES