

SPECIFICATION:

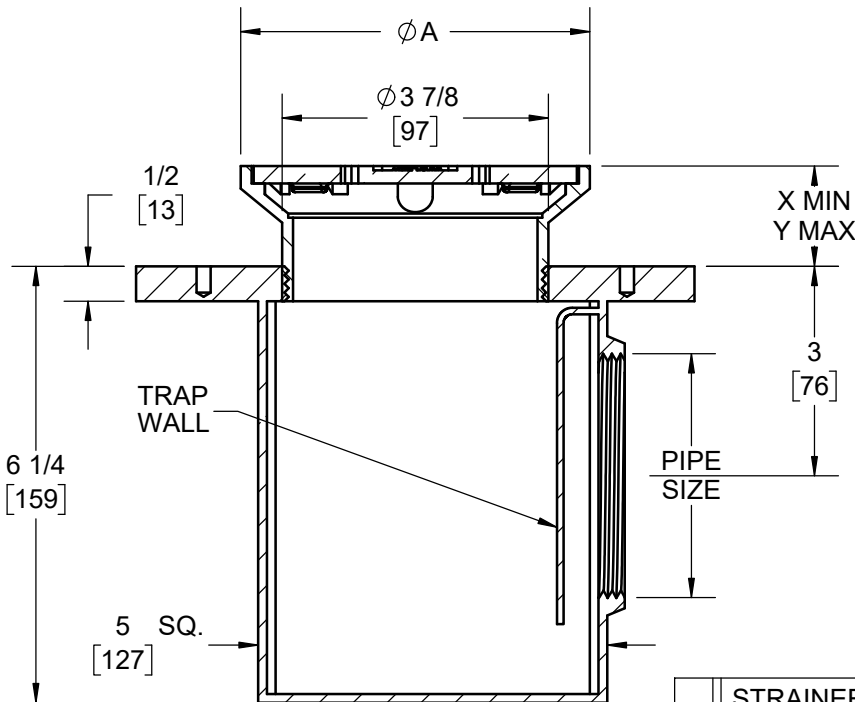
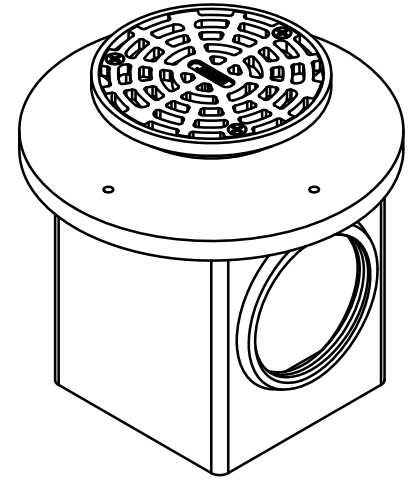
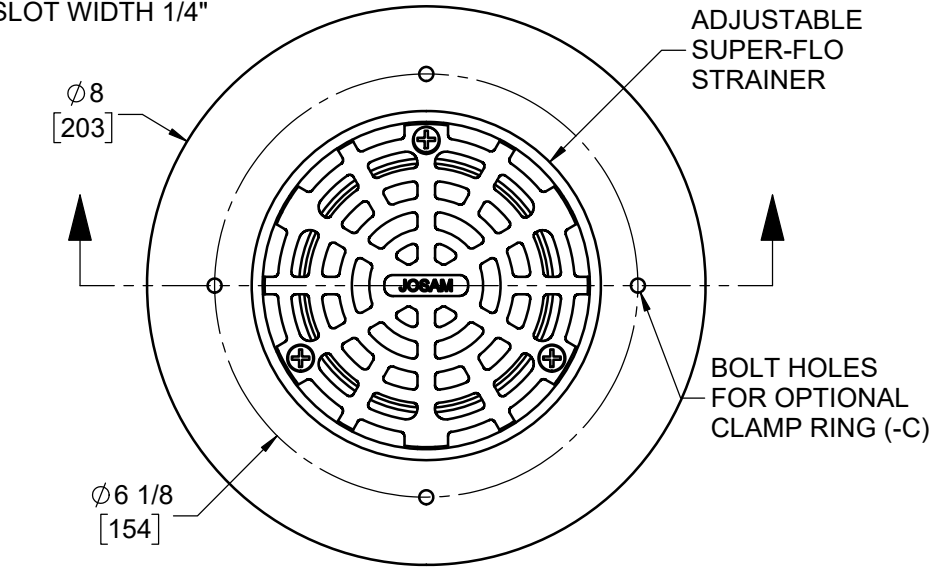
JOSAM 30000-PD-A SERIES GALVANIZED SECURITY FLOOR DRAIN, FLASHING FLANGE, THREADED SIDE OUTLET CONNECTION, INTEGRAL TRAP WALL AND NIKALOY ADJUSTABLE ROUND SUPER-FLO® STRAINER.

SECURITY FLOOR DRAIN

WITH INTEGRAL TRAP WALL

SERIES **30000-PD-A**

SLOT WIDTH 1/4"



	PIPE SIZE
	2"
	3"

	STRAINER	B	X	Y	FREE AREA
	-5A	5 [127]	3/4 [19]	2 1/8 [54]	7.8 [5032]
	-6A	6 [152]	1 1/4 [32]	2 3/8 [60]	11 [7097]
	-7A	7 [178]	1 1/8 [29]	2 7/8 [73]	13.2 [8516]
	-8A	8 [203]	1 5/8 [41]	2 5/8 [67]	16.2 [10452]

	-HD	HEAVY DUTY LOAD RATING (5A&6A ONLY)
	-C	BOLTED FLASHING CLAMP DEVICE
	-CP	CHROME PLATED STRAINER (5A OR 6A)
	-J	BACKWATER VALVE
X	-PD	PRISON DRAIN

	-VP	SECURED GRATE, VANDAL-PROOF SCREWS
	-2	BRONZE ADJUSTABLE STRAINER
	-50	1/2 PRIMER TAP
	-80	PERFORATED STAINLESS STEEL BRACKET

WARNING: Cancer and Reproductive Harm - www.P65Warnings.ca.gov

DATE OF LAST CHANGE: 07/24/18

DIMENSIONS ARE SUBJECT TO MANUFACTURERS TOLERANCES AND CHANGE WITHOUT NOTICE. WE CAN ASSUME NO RESPONSIBILITY FOR USE OF SUPERSEDED OR VOID DATA.



MICHIGAN CITY, INDIANA

NOTES