

SPECIFICATION:

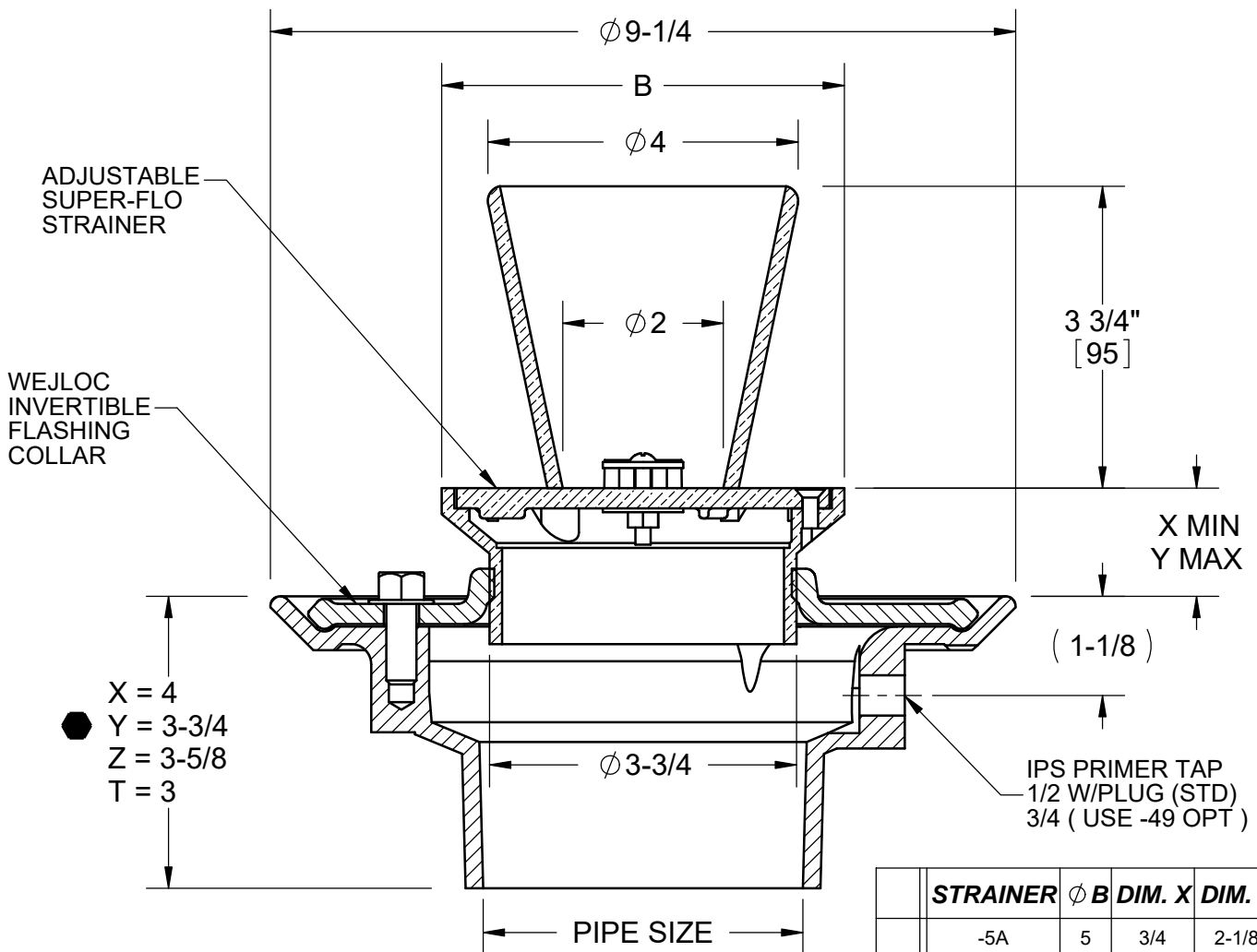
JOSAM 30000-A-F4 SERIES CAST IRON FLOOR DRAIN, TWO-PIECE BODY WITH DOUBLE DRAINAGE FLANGE & 1/2" PRIMER TAP, WEJLOC® INVERTIBLE FLASHING COLLAR, WEEPHOLES, BOTTOM OUTLET CONNECTION, ROUND FUNNEL ATTACHED, & NIKALOY ADJUSTABLE ROUND SUPER-FLO® STRAINER.

**FLOOR DRAIN
ADJUSTABLE FLOOR DRAIN
AND FUNNEL**

SERIES **30000-A-F4**

● GASKET ON -Y CONNECTION CONFORMS WITH ASTM-C564

SLOT WIDTH 1/4"



- X = 4
- Y = 3-3/4
- Z = 3-5/8
- T = 3

▼ SEPARATE SUBMITTAL FOR THIS OPTION AVAILABLE

	2"	PIPE SIZE			-93	CAST IRON FUNNEL
	3"	PIPE SIZE			-SS	STAINLESS STEEL
	4"	PIPE SIZE			-2	BRONZE ADJUSTABLE STRAINER & FUNNEL
					-80	PERFORATED STAINLESS STEEL BASKET
	-TSO	THREADED SIDE OUTLET			-CP	CHROME PLATED STRAINER (5A & 6A)
▼	-ST	WITH SHALLOW TRAP (2" & 3" ONLY)			-VP	SECURED GRATE, VANDAL-PROOF SCREWS
▼	-PD	PRISON DRAIN (2" & 3" ONLY)				
▼	-ARE	ACID RESISTING EPOXY			-T	THREADED OUTLET
	-49	3/4 PRIMER TAP			-X	INSIDE CAULK OUTLET
	-91	ROUGH BRONZE BODY			-Y	HUB OUTLET WITH GASKET
	-92	GALVANIZED CAST IRON PARTS			-Z	NO-HUB SPIGOT OUTLET

DATE OF LAST CHANGE: 07/25/18

DIMENSIONS ARE SUBJECT TO MANUFACTURERS TOLERANCES AND CHANGE WITHOUT NOTICE. WE CAN ASSUME NO RESPONSIBILITY FOR USE OF SUPERSEDED OR VOID DATA.

JOSAM

MICHIGAN CITY, INDIANA

NOTES