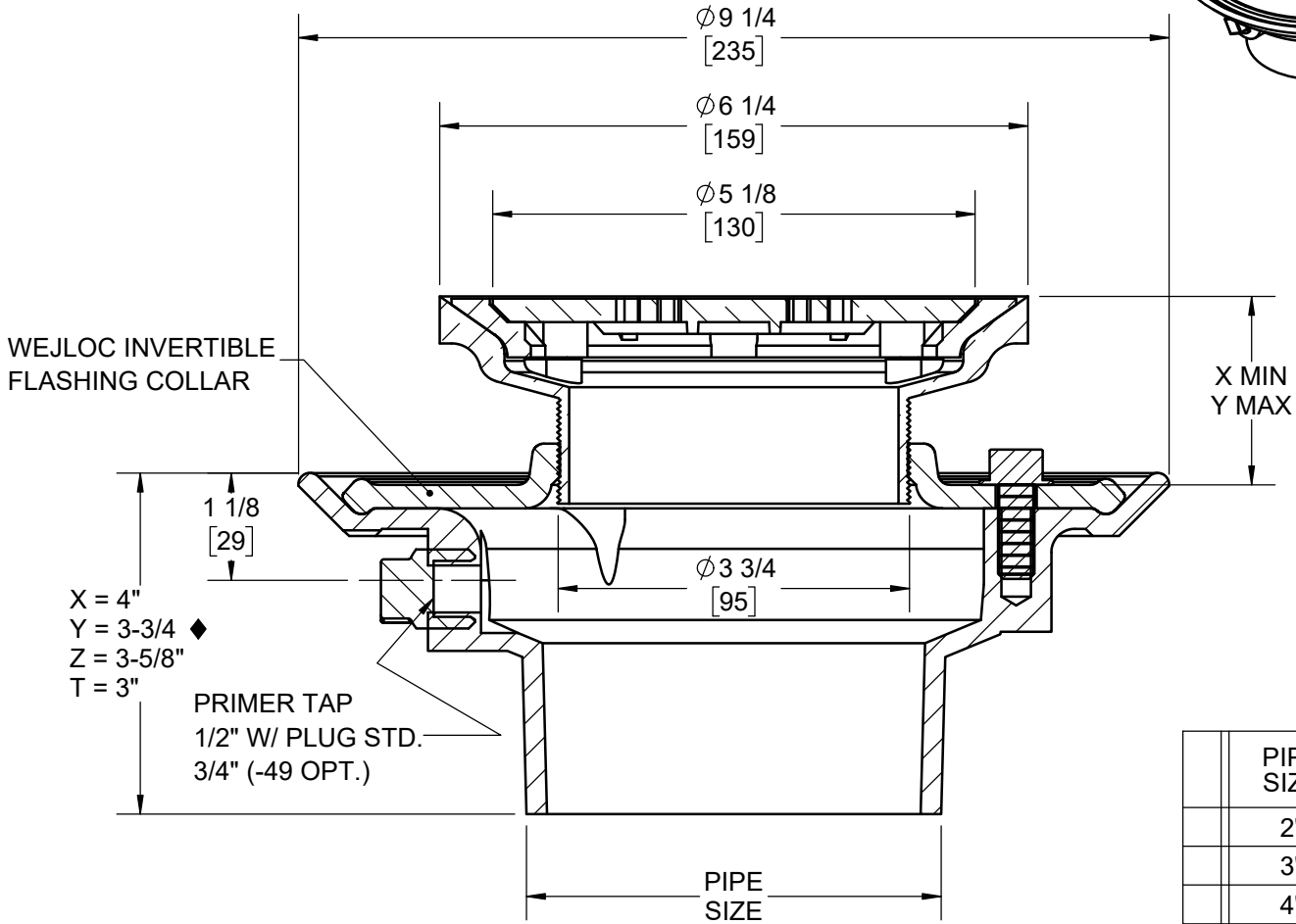
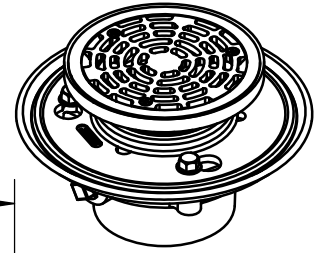


SPECIFICATION:

JOSAM 30000-6AD SERIES CAST IRON FLOOR DRAIN WITH DOUBLE DRAINAGE FLANGE, WEEPHOLES, BOTTOM OUTLET, NIKALOY 6" ADJUSTABLE ROUND STRAINER WITH CLAMPING COLLAR TO SECURE FLASHING OR WATER PROOFING AT FINISHED FLOOR.

**FLOOR DRAIN
ADJUSTABLE FLOOR DRAIN**

SERIES **30000-6AD**



X = 4"
Y = 3-3/4" ♦
Z = 3-5/8"
T = 3"

PRIMER TAP
1/2" W/ PLUG STD.
3/4" (-49 OPT.)

PIPE SIZE
2"
3"
4"

TYPE	X	Y	FREE AREA
30000-6AD	1-1/8	2-3/4	10.4

♦ GASKET ON -Y CONNECTION CONFORMS WITH ASTM-C564

-2	BRONZE ADJ. STRAINER
-49	3/4" PRIMER TAP
-66	NO-HUB SIDE OUTLET
-80	PERFORATED SS BASKET
-92	GALVANIZED CAST IRON PARTS

-VP	SECURED GRATE, VP SCREWS
-T	THREADED OUTLET
-X	INSIDE CAULK OUTLET
-Y	HUB OUTLET WITH GASKET ♦
-Z	NO-HUB SPIGOT OUTLET

DATE OF LAST CHANGE: 07/24/18

DIMENSIONS ARE SUBJECT TO MANUFACTURERS TOLERANCES AND CHANGE WITHOUT NOTICE. WE CAN ASSUME NO RESPONSIBILITY FOR USE OF SUPERSEDED OR VOID DATA.

JOSAM

MICHIGAN CITY, INDIANA

NOTES

WARNING: Cancer and Reproductive Harm - www.P65Warnings.ca.gov