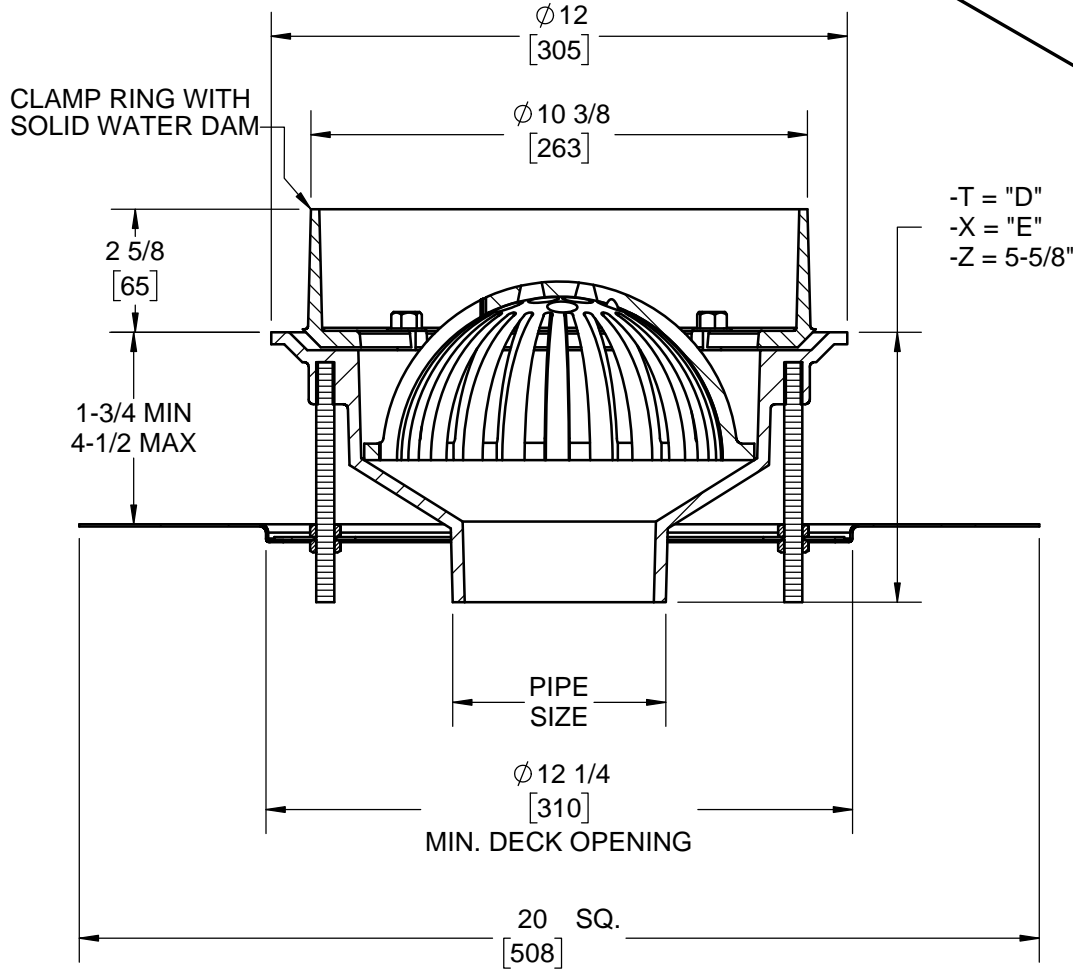
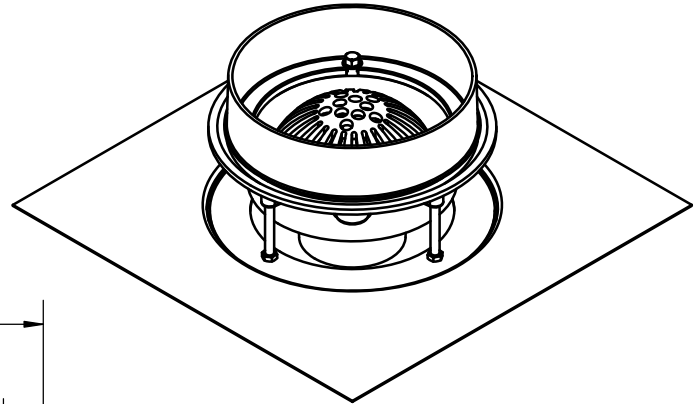


**SPECIFICATION:**

JOSAM 25520-AER SERIES COATED CAST IRON FLO-SEPTOR® ROOF DRAIN, CAST IRON INTERNAL DOME STRAINER, COMBINED WEJLOC® NON-PUNCTURING CLAMP RING WITH SOLID WATER DAM, MEDIUM SUMP WITH EXTENSION RODS, DRAIN RECEIVER AND BOTTOM OUTLET.

**ROOF DRAIN**  
FLO-SEPTOR® MEDIUM SUMP

SERIES **25520-AER**



**OPTIONS:**

-T	THREADED OUTLET
-X	INSIDE CAULK OUTLET
-Z	NO-HUB OUTLET
-20	GALVANIZED CAST IRON PARTS
-66	NO-HUB SIDE OUTLET

PIPE SIZE	"D" DIM.	"E" DIM.
2"	4-3/4"	6-1/4"
3"	4-3/4"	6-1/4"
4"	4-1/2"	6-1/4"
5"	4-3/8"	6"
6"	4"	5-3/4"

WARNING: Cancer and Reproductive Harm - www.P65Warnings.ca.gov

DATE OF LAST CHANGE: 6/29/18

DIMENSIONS ARE SUBJECT TO MANUFACTURERS TOLERANCES AND CHANGE WITHOUT NOTICE. WE CAN ASSUME NO RESPONSIBILITY FOR USE OF SUPERSEDED OR VOID DATA.



MICHIGAN CITY, INDIANA

NOTES