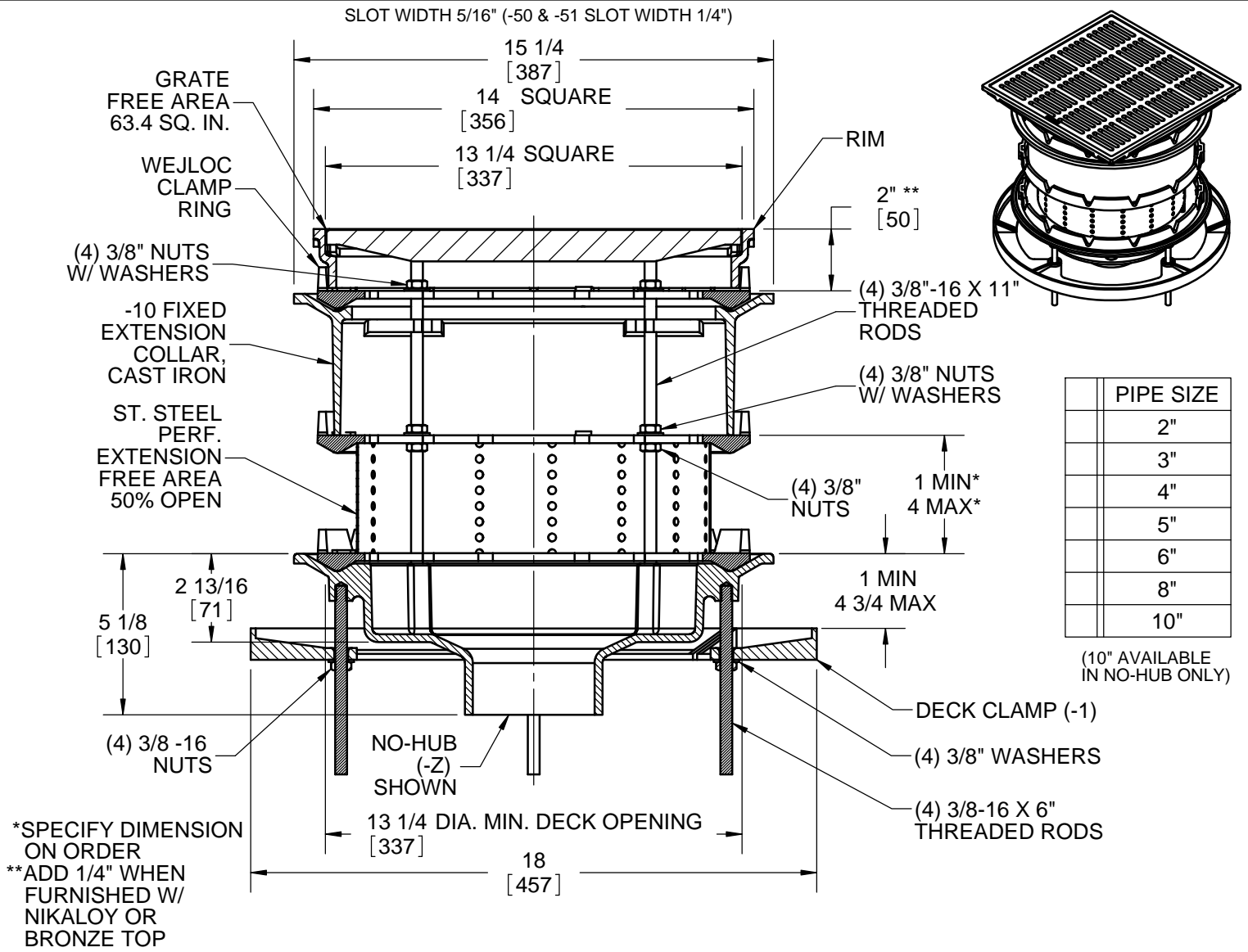


**SPECIFICATION:**

JOSAM 23500-IRMA-10 SERIES COATED CAST IRON ROOF DRAIN, SQUARE PEDESTRIAN GRATE SET IN SQUARE SECURED FRAME, FRAME SUPPORT COLLAR, PERFORATED STAINLESS STEEL EXTENSION FILTER, FIXED EXTENSION COLLAR, WEJLOC NON-PUNCTURING FLASHING COLLAR LARGE SUMP WITH WIDE ROOF FLANGE AND BOTTOM OUTLET.

**ROOF DRAIN**  
**W/ PERFORATED STAINLESS**  
**EXTENSION AND FIXED**  
**EXTENSION COLLAR**  
**SERIES 23500-IRMA-10**



	-AE	THREADED LEVELIZE ADJ. EXT.
X	-IRMA	PERFORATED STAINLESS STEEL EXTENSION
	-CR	CLAMPING DRAIN RECEIVER (MIN. DECK OPENING Ø 16")
	-PG	PARKING GRATE - 110 SQ. IN. F. A. (DUCTILE IRON ONLY)
	-1	DECK CLAMP ASSEMBLY
	-1C	DRAIN RECEIVER CLIPS (MIN. DECK OPENING)
	-2	DRAIN RECEIVER
	-3	DECK CLAMP ASSEMBLY AND DRAIN RECEIVER
	-3C	DRAIN RECEIVER AND DRAIN RECEIVER CLIPS
	-6	EXTRA WIDE FLANGE DRAIN BODY (-X OUTLET ONLY)
X	-10	FIXED EXTENSION COLLAR, CAST IRON (SPEC. HGHT***)
	-10-20	FIXED EXTENSION COLLAR, GALVANIZED (SPEC. HGHT***)
	-18	EXTRA-DEEP SUMP

	-20	GALVANIZED CAST IRON PARTS
	-36	DUCTILE IRON GRATE
	-37-50	HVY-DUTY DUCTILE UNDERGRATE LAMINATED TOP, NIKALOY
	-37-51	HVY-DUTY DUCTILE UNDERGRATE LAMINATED TOP, BRONZE
	-50	CAST IRON UNDERGRATE LAMINATED TOP, NIKALOY
	-51	CAST IRON UNDERGRATE LAMINATED TOP, BRONZE
	-VP	SECURED GRATE, VANDAL-PROOF SCREWS
	-66	NO-HUB SIDE OUTLET (2" THRU 6" OUTLETS ONLY)
	-T	THREADED OUTLET
	-X	INSIDE CHALK OUTLET
	-Y	HUB OUTLET W/ GASKET (2", 3" & 4" SIZES ONLY)
	-Z	NO-HUB SPIGOT OUTLET

\*\*\* -10 EXTENSION 4" STANDARD

WARNING: Cancer and Reproductive Harm - www.P65Warnings.ca.gov

DATE OF LAST CHANGE: 6/27/18

DIMENSIONS ARE SUBJECT TO MANUFACTURERS TOLERANCES AND CHANGE WITHOUT NOTICE. WE CAN ASSUME NO RESPONSIBILITY FOR USE OF SUPERSEDED OR VOID DATA.



NOTES