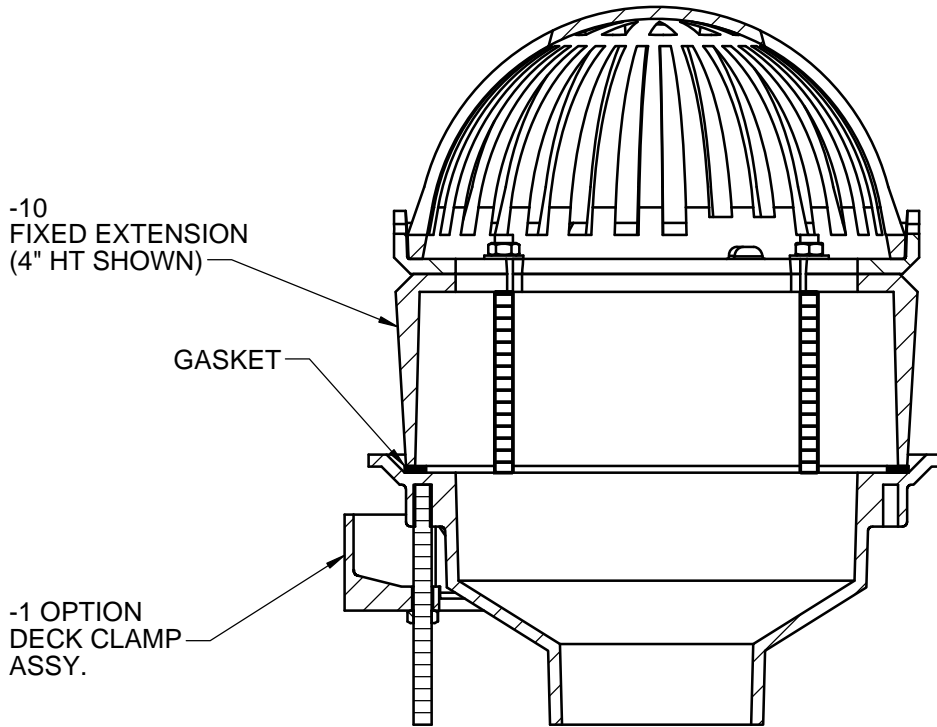
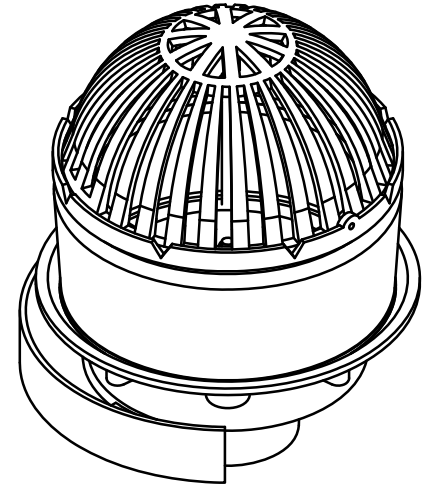


SPECIFICATION:

JOSAM 22010-10 SERIES COATED CAST IRON ROOF DRAIN WITH CAST IRON FIXED EXTENSION COLLAR, MEDIUM BEEHIVE DOME, NON-PUNCTURING CLAMP RING WITH INTEGRAL GRAVEL STOP, MEDIUM SUMP WITH FLANGE AND BOTTOM OUTLET.

**ROOF DRAIN
MEDIUM SUMP, BEEHIVE DOME**

SERIES **22010-10**



NOTE:
REFER TO 22010
DRAWING FOR DIMENSIONS
AND DETAILS

▼ SEPARATE SUBMITTAL FOR THIS OPTION AVAILABLE

** -10 EXTENSION 1" STANDARD

	2"	PIPE SIZE	X	-10	FIXED EXT. COLLAR, CAST IRON (SPECIFY HEIGHT **)
	3"	PIPE SIZE		-10-20	FIXED EXT. COLLAR, GALVANIZED (SPECIFY HEIGHT **)
	4"	PIPE SIZE		-17	2" HIGH SOLID CLAMPING COLLAR
	5"	PIPE SIZE		-19	CLAMP COLLAR W/PERF. STAINLESS GRAVEL GUARD
	6"	PIPE SIZE		-20	GALVANIZED CAST IRON PARTS
				-23	ROUGH BRONZE DOME
	-X	INSIDE CAULK OUTLET		-66	NO-HUB SIDE OUTLET (2" THRU 6" OUTLETS ONLY)
	-Z	NO-HUB SPIGOT OUTLET			
	-T	THREADED OUTLET		-VP	VANDAL-PROOF DOME
	-1	DECK CLAMP ASSEMBLY			
	-1C	DRAIN RECEIVER CLIPS (MIN. DECK OPENING Ø16.5")			
	-2	DRAIN RECEIVER			
	-3	DECK CLAMP ASY. AND DRAIN RECEIVER			
	-3C	DRAIN RECEIVER AND DRAIN RECEIVER CLIPS			

WARNING: Cancer and Reproductive Harm - www.P65Warnings.ca.gov

DATE OF LAST CHANGE: 6/26/18

DIMENSIONS ARE SUBJECT TO MANUFACTURERS TOLERANCES AND CHANGE WITHOUT NOTICE. WE CAN ASSUME NO RESPONSIBILITY FOR USE OF SUPERSEDED OR VOID DATA.



MICHIGAN CITY, INDIANA

NOTES