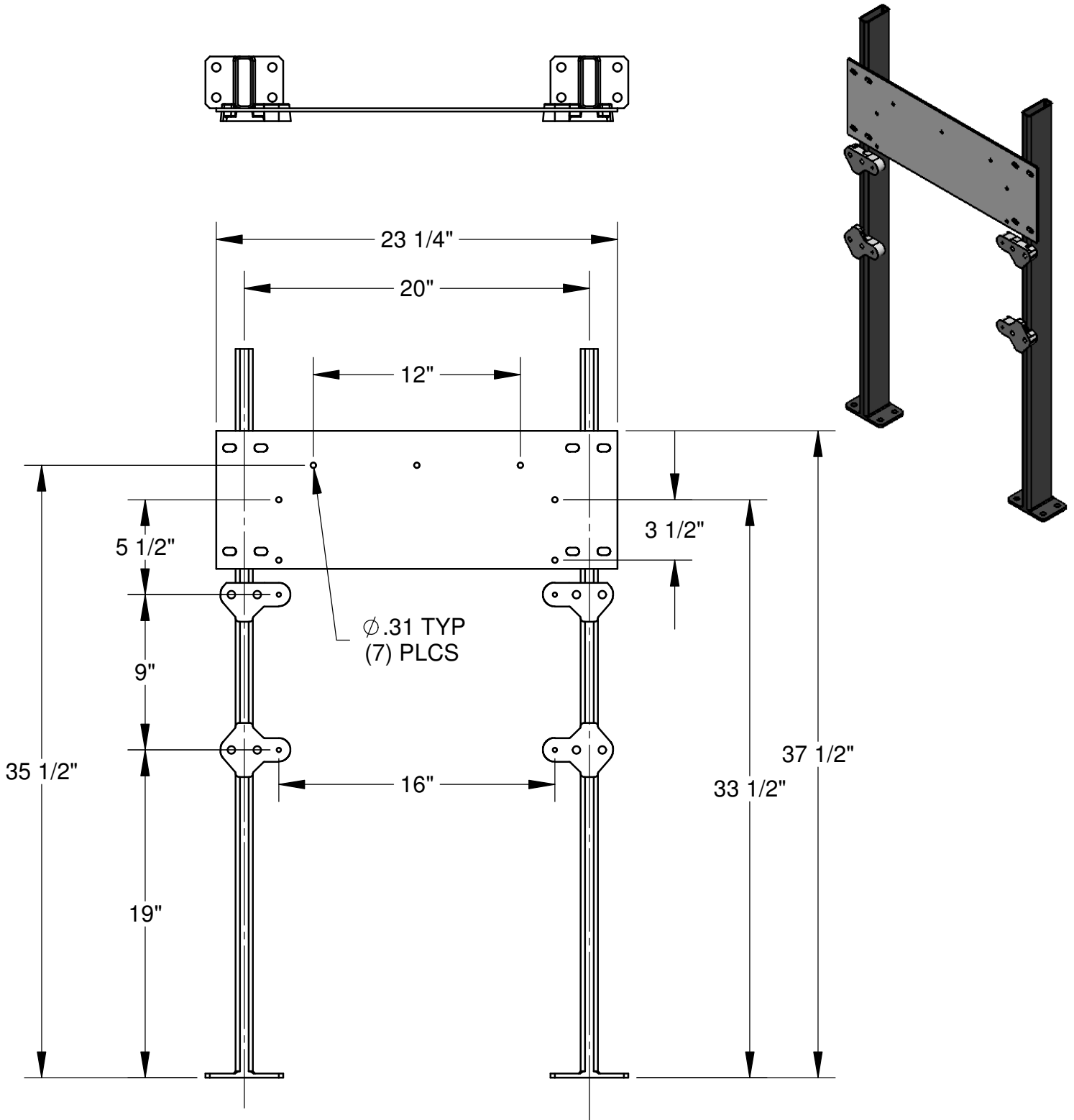


SPECIFICATION:

JOSAM 17720 SERIES FLOOR-MOUNTED, SINGLE LAVATORY CARRIER WITH STRUCTURAL UPRIGHTS, WELDED FEET, SUPPORT PLATE, AND ONE BOLT HEADERS. DESIGNED TO SUPPORT ACORN 1953 LAV.

**LAVATORY CARRIER
SPECIAL**

SERIES **17720-M1367**



DATE OF LAST CHANGE: 3/20/14

DIMENSIONS ARE SUBJECT TO MANUFACTURERS TOLERANCES AND CHANGE WITHOUT NOTICE. WE CAN ASSUME NO RESPONSIBILITY FOR USE OF SUPERSEDED OR VOID DATA.

JOSAM COMPANY
MICHIGAN CITY, INDIANA

NOTES