

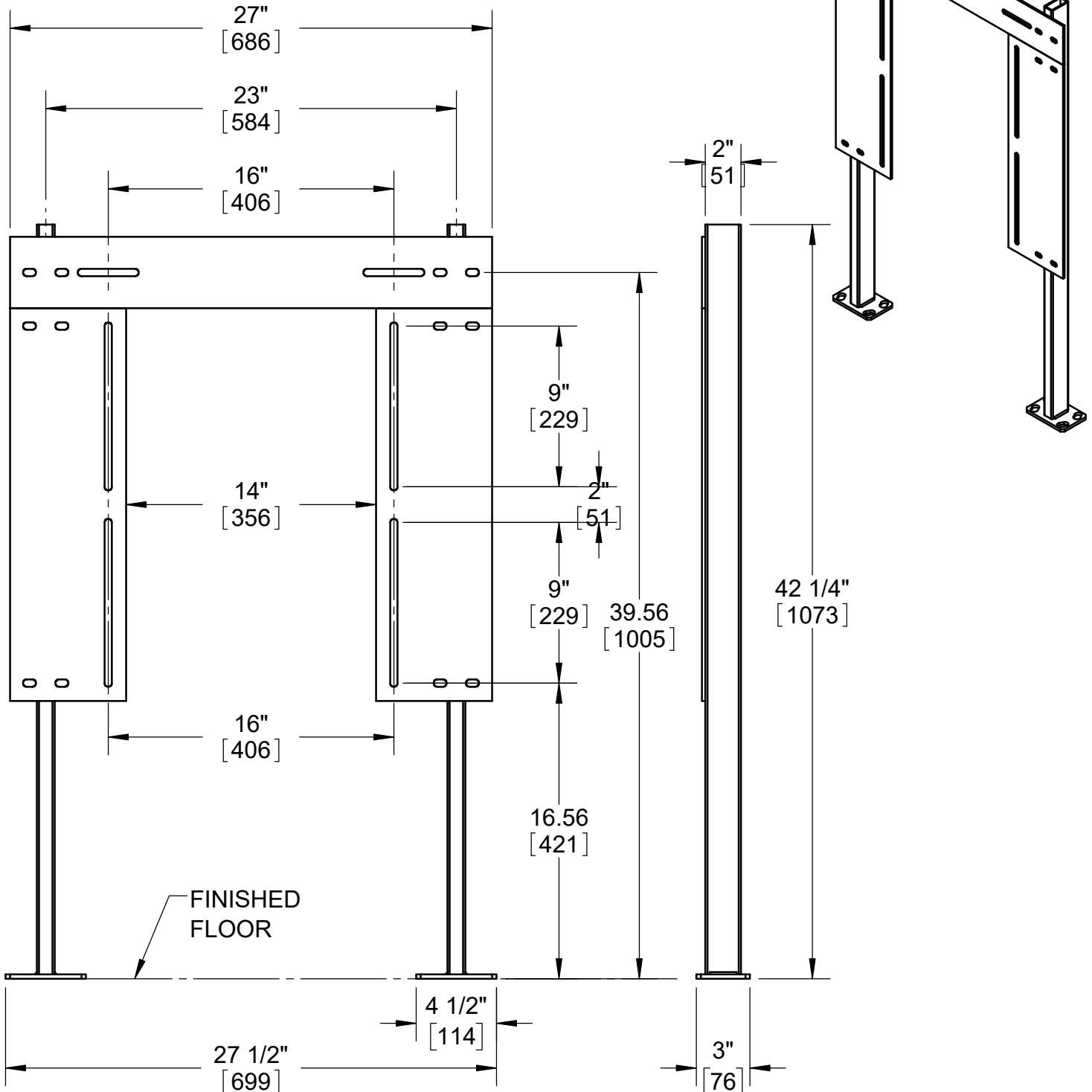
SPECIFICATION:

JOSAM SERIES 17560 SERIES FLOOR MOUNTED FIXTURE CARRIER WITH HANGER AND BEARING PLATES, ADJUSTABLE SUPPORT RODS, STRUCTURAL UPRIGHTS AND WELDED FEET. DESIGNED TO SUPPORT ELKAY ECDFPW314C DRINKING FOUNTAIN.

**FIXTURE CARRIER
SPECIAL**

SERIES **17560-M1654**

JOSAM RECOMMENDS - FEET BE SECURED TO FLOOR WITH 1/2" BOLTS AND ANCHORS BY OTHERS



WARNING: Cancer and Reproductive Harm - www.P65Warnings.ca.gov

DATE OF LAST CHANGE: 06/08/18

DIMENSIONS ARE SUBJECT TO MANUFACTURERS TOLERANCES AND CHANGE WITHOUT NOTICE. WE CAN ASSUME NO RESPONSIBILITY FOR USE OF SUPERSEDED OR VOID DATA.

JOSAM

MICHIGAN CITY, INDIANA

NOTES