

SPECIFICATION:

e-008; JOSAM 17550-M1634 SERIES HEAVY DUTY FLOOR MOUNTED CARRIER, WITH HANGER PLATE, SUPPORTING RODS AND STRUCTURAL UPRIGHTS WITH WELDED FEET.

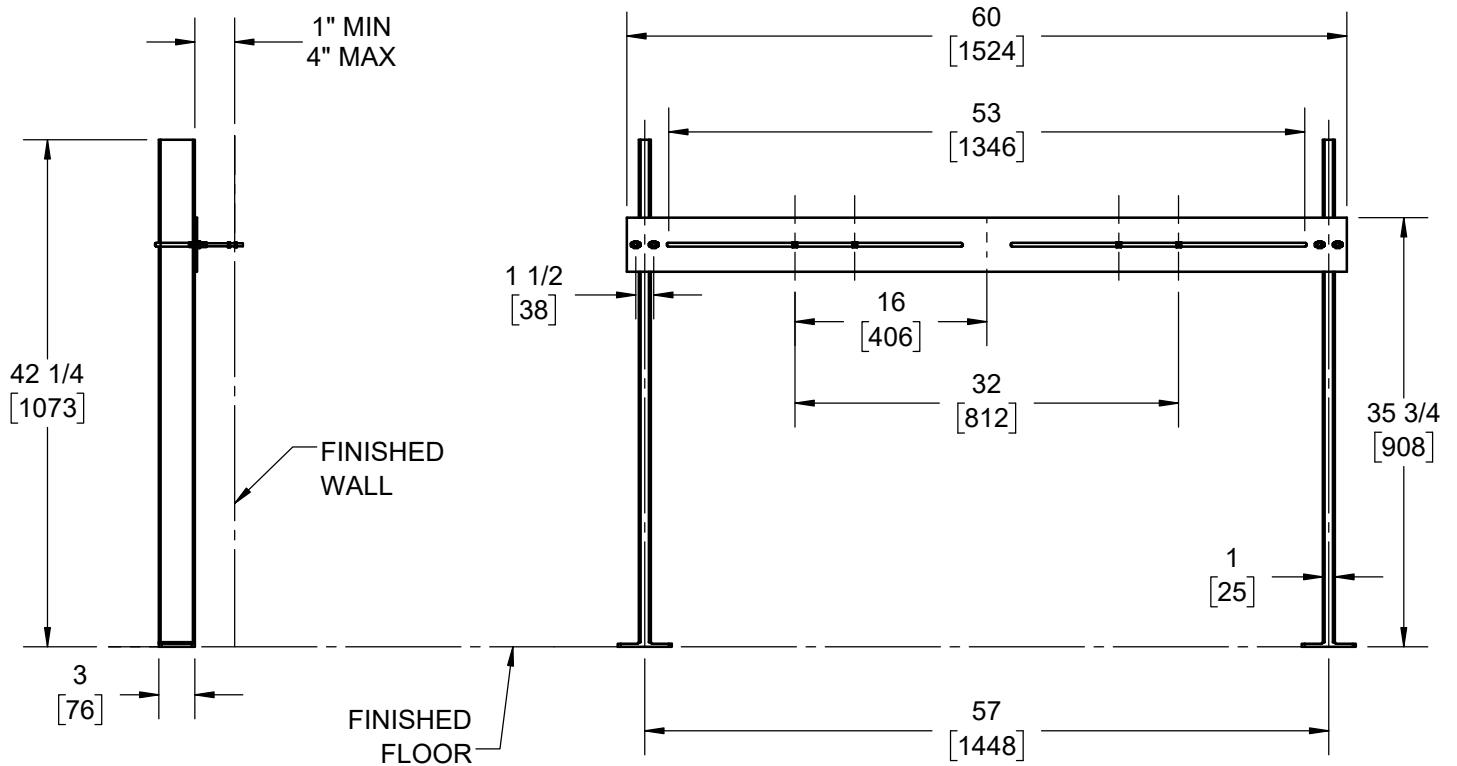
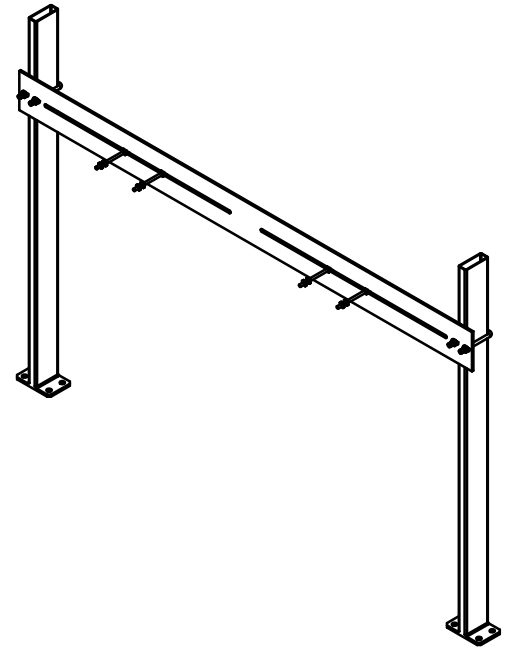
HEAVY-DUTY CARRIER

SERIES **17550-M1634**

NOTE:

FOR WILLOUGHBY WWF 3603, 4203, 4204, 5404

JOSAM RECOMMENDS - FEET BE SECURED TO FLOOR WITH 1/2" BOLTS AND ANCHORS BY OTHERS



WARNING: Cancer and Reproductive Harm - www.P65Warnings.ca.gov

DATE OF LAST CHANGE: 05/24/18

DIMENSIONS ARE SUBJECT TO MANUFACTURERS TOLERANCES AND CHANGE WITHOUT NOTICE. WE CAN ASSUME NO RESPONSIBILITY FOR USE OF SUPERSEDED OR VOID DATA.

JOSAM
MICHIGAN CITY, INDIANA

NOTES