

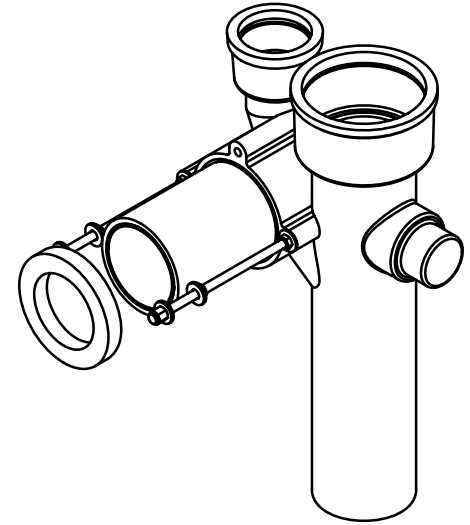
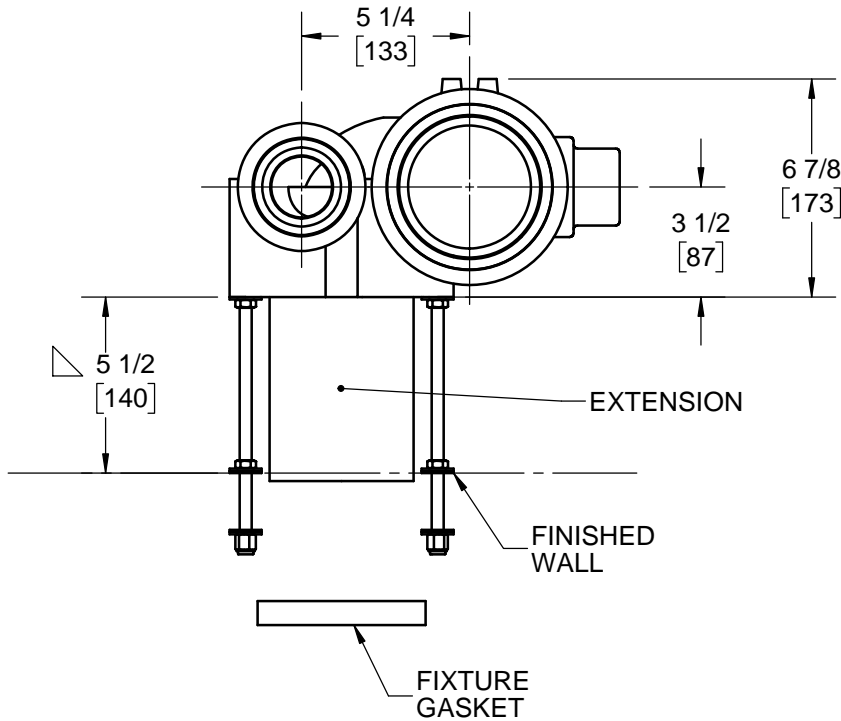
**SPECIFICATION:**

JOSAM 14004-24 SERIES COATED CAST IRON SINGLE VERTICAL 4" HUB AND SPIGOT LEFT-HAND OFFSET FITTING WITH 2" HUB VENT, ABS EXTENSION WITH INTEGRAL TEST CAP, PLATED HARDWARE, AND NEOPRENE FIXTURE GASKET. FOR FLOOR-MOUNTED BACK OUTLET CARRIERS.

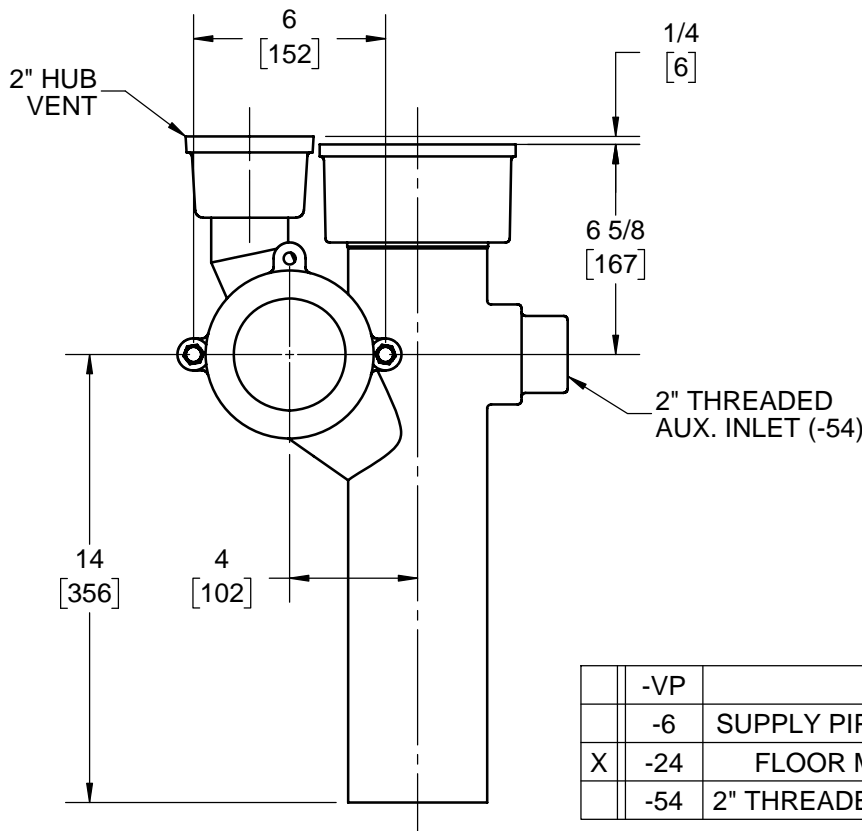
**CLOSET CARRIER**

SINGLE, LEFT HAND OFFSET AND 2" VENT

SERIES **14004-24**



△ FOR DIMENSION SHORTER THAN 5-1/2" (1" MIN) CUT EXTENSION. FOR LONGER EXTENSION (10-1/2" MAX) SPECIFY (-10)



	-VP	VANDAL-PROOF TRIM
	-6	SUPPLY PIPE SUPPORT (SPECIFY TYPE OF PIPE)
X	-24	FLOOR MOUNTED, BACK OUTLET CARRIER
	-54	2" THREADED AUXILLARY INLET, OPPOSITE VENT

WARNING: Cancer and Reproductive Harm - www.P65Warnings.ca.gov

DATE OF LAST CHANGE: 5/30/18

DIMENSIONS ARE SUBJECT TO MANUFACTURERS TOLERANCES AND CHANGE WITHOUT NOTICE. WE CAN ASSUME NO RESPONSIBILITY FOR USE OF SUPERSEDED OR VOID DATA.

**JOSAM**

MICHIGAN CITY, INDIANA

NOTES