

SPECIFICATION:

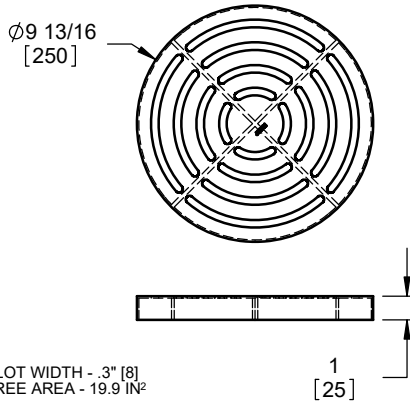
GRATE AND COVER ASSORTMENT FOR JOSAM 42500 AND 44500 TYPE 304 (STANDARD) 10" ROUND TOP DRAINS.

OPTION: -316 TYPE 316L MATERIAL

SS DRAINS
10" ROUND TOPS

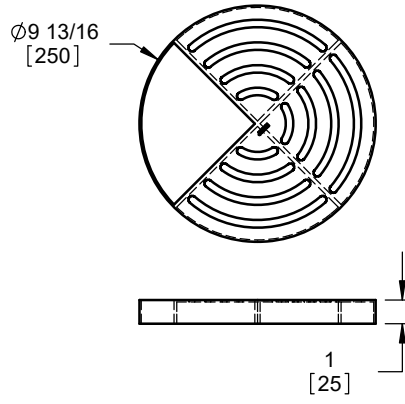
SERIES **42500/44500**

STANDARD PERFORATED GRATE



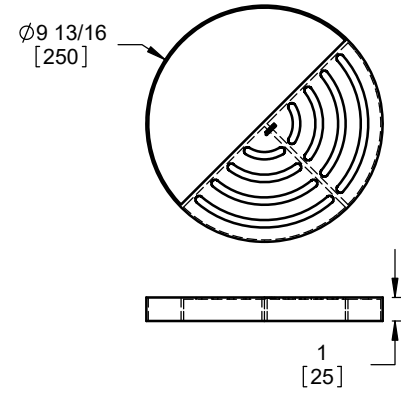
SLOT WIDTH - .3" [8]
FREE AREA - 19.9 IN²
LOAD - MEDIUM DUTY
MEETS ADA AND HEEL-PROOF REQS.

- 3Q 3/4 PERFORATED GRATE



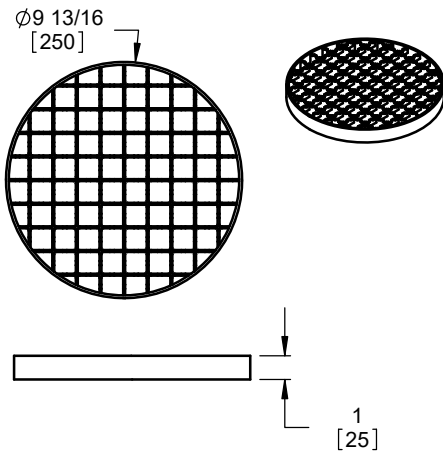
SLOT WIDTH - .3" [8]
LOAD - MEDIUM DUTY

- HG PERFORATED 1/2 GRATE



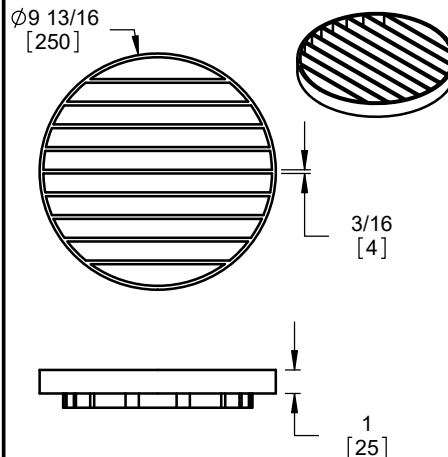
SLOT WIDTH - .3" [8]
LOAD - MEDIUM DUTY

- MG ANTI-SLIP MESH GRATE



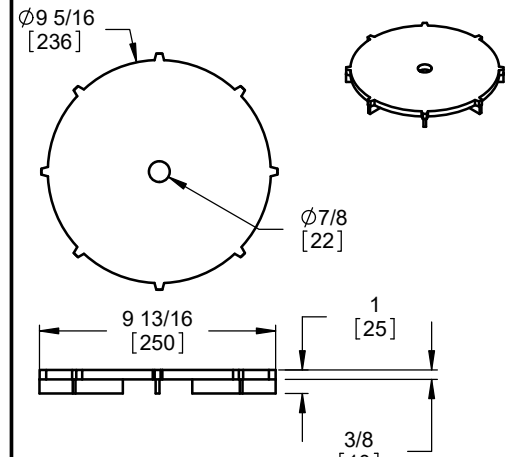
OPENING - .9" X .9" [23 X 23]
LOAD - MEDIUM DUTY

- LG LADDER GRATE



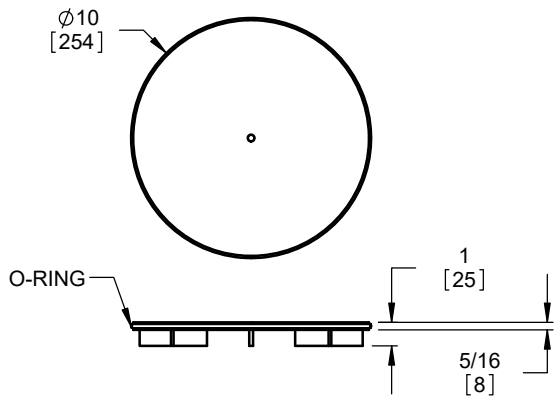
SLOT WIDTH - .8" [20]
LOAD - HEAVY DUTY

- SG PERIMETER SLOT GRATE



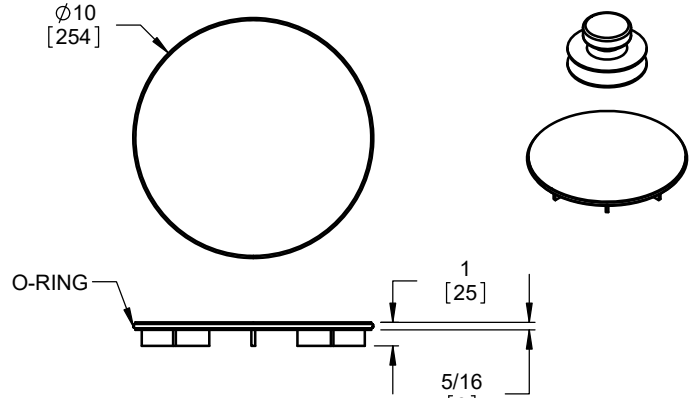
SLOT WIDTH - .3" [7]
LOAD - EXTRA-HEAVY DUTY

- SK SEALING COVER WITH KEY BOLT



LOAD - EXTRA-HEAVY DUTY

- SV SEALING COVER WITH VACUUM HANDLE



LOAD - EXTRA-HEAVY DUTY

DATE OF LAST CHANGE: 7/17/18

DIMENSIONS ARE SUBJECT TO MANUFACTURERS TOLERANCES AND CHANGE WITHOUT NOTICE. WE CAN ASSUME NO RESPONSIBILITY FOR USE OF SUPERSEDED OR VOID DATA.

JOSAM
MICHIGAN CITY, INDIANA

NOTES

WARNING: Cancer and Reproductive Harm - www.P65Warnings.ca.gov