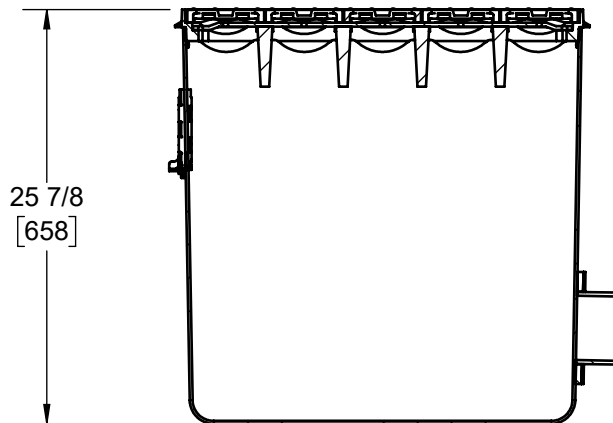
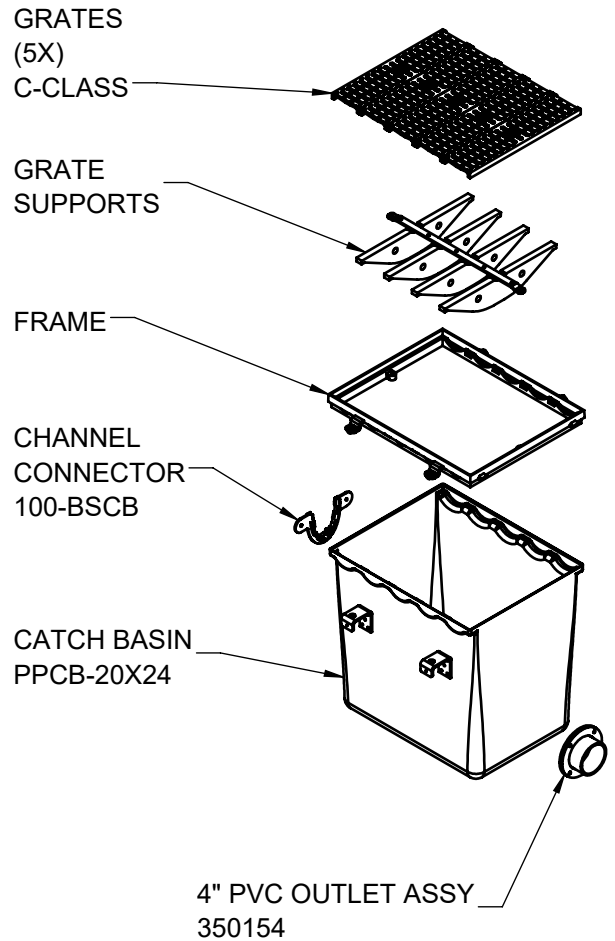
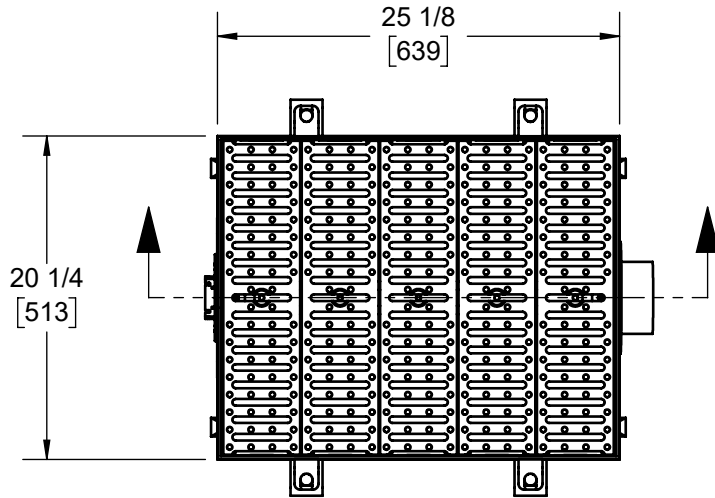


**SPECIFICATION:**

JOSAM SERIES PRO-PLUS 20 x 24 GLASS REINFORCED POLYESTER CATCH BASIN, DUCTILE IRON FRAME AND CLASS-C EPOXY COATED GRATES, 100-BSCB CHANNEL CONNECTOR, AND 4" PVC OUTLET ASSEMBLY.  
 GRATES MEET ADA AND HEEL-RESISTANT SLOT WIDTH REQUIREMENTS.

**PRO-PLUS  
 CATCH BASIN ASSY**

**350151-C10-DIGR  
 SERIES**



CHANNEL BRACKET AND OUTLET ASSEMBLED TO CATCH BASIN ON-SITE AT LOCATIONS NEEDED.

OPTIONS:

-FB	FILTER BASKETS
-SB	SEDIMENT BUCKETS

WARNING: Cancer and Reproductive Harm - www.P65Warnings.ca.gov

DATE OF LAST CHANGE: 07/26/21

DIMENSIONS ARE SUBJECT TO MANUFACTURERS TOLERANCES AND CHANGE WITHOUT NOTICE. WE CAN ASSUME NO RESPONSIBILITY FOR USE OF SUPERSEDED OR VOID DATA.



NOTES