

SPECIFICATION:

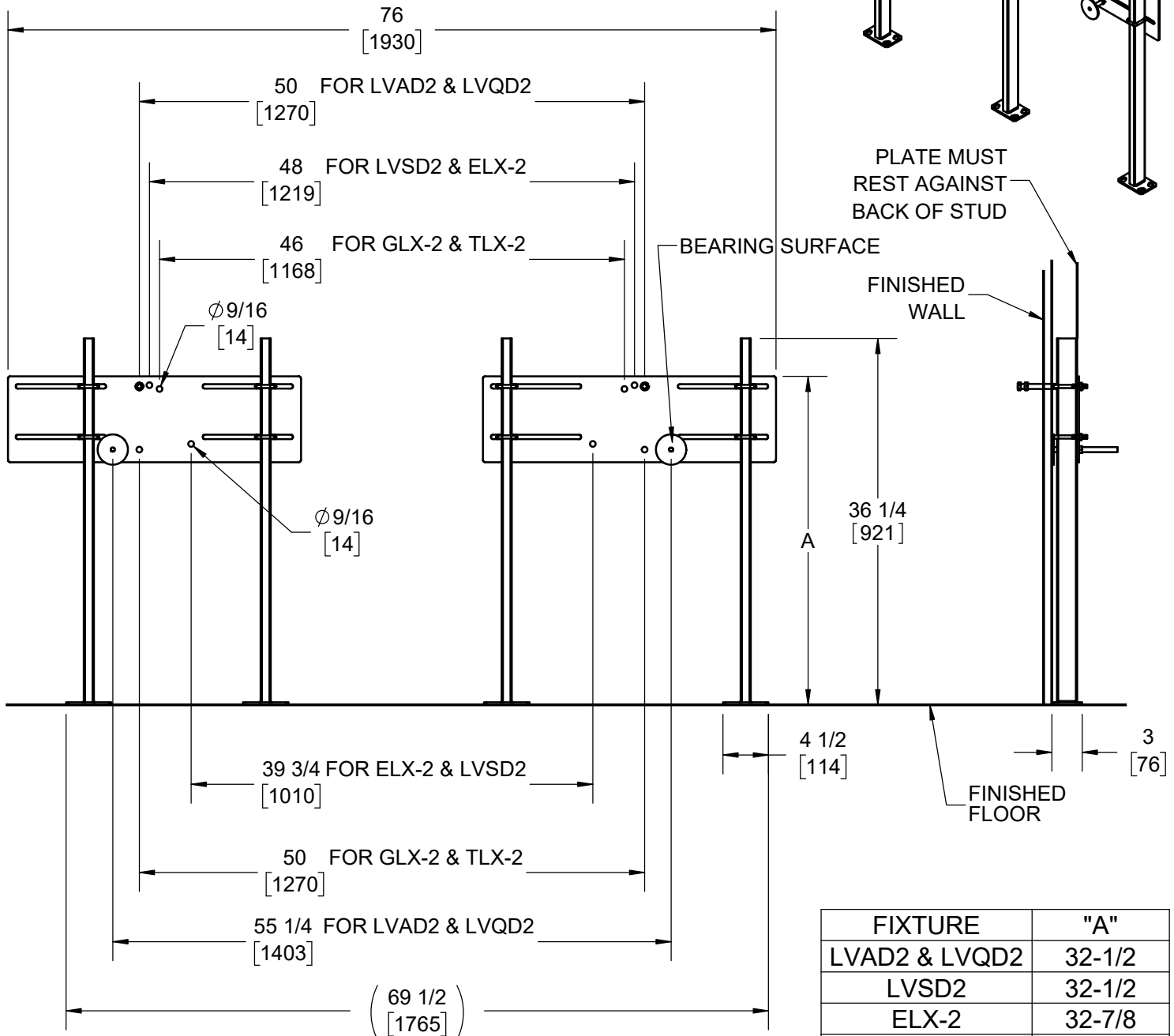
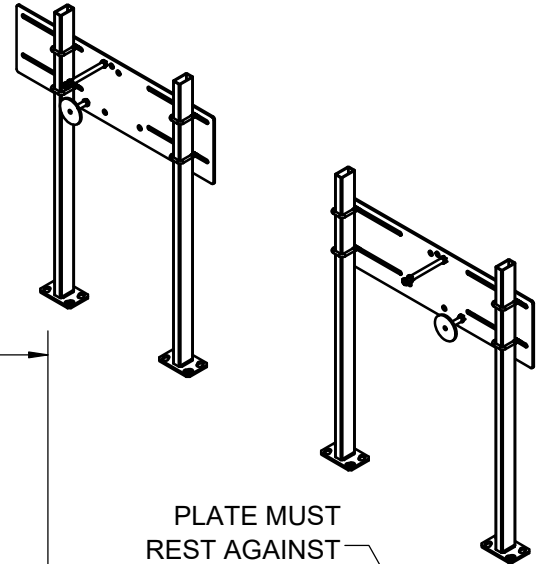
JOSAM SERIES 17550-BRAD-002 FLOOR-MOUNTED, SINGLE LAVATORY CARRIER WITH HANGER PLATE, ADJUSTABLE SUPPORTING RODS, STRUCTURAL UPRIGHTS AND WELDED FEET. DESIGNED TO SUPPORT BRADLEY LVAD2, LVQD2, LVSD2, ELX-2, GLX-2, AND TLX-2 LAVATORIES.

LAVATORY CARRIER

**FLOOR-MOUNT
HANGER PLATE**

SERIES 17550-BRAD-002

RECOMMEND FEET BE SECURED TO FLOOR WITH 1/2" BOLTS AND ANCHORS BY OTHERS
NOT ALL HARDWARE SHOWN



FIXTURE	"A"
LVAD2 & LVQD2	32-1/2
LVSD2	32-1/2
ELX-2	32-7/8
GLX-2 & TLX-2	32-1/2

WARNING: Cancer and Reproductive Harm - www.P65Warnings.ca.gov

DATE OF LAST CHANGE: 2/11/25 JTJ

DIMENSIONS ARE SUBJECT TO MANUFACTURERS TOLERANCES AND CHANGE WITHOUT NOTICE. WE CAN ASSUME NO RESPONSIBILITY FOR USE OF SUPERSEDED OR VOID DATA.

JOSAM
MICHIGAN CITY, INDIANA

NOTES