

**SPECIFICATION:**

JOSAM 100-SSWW-C STAINLESS STEEL (TYPE 316) LONGITUDINAL SLOTTED GRATE WITH RECESS FOR LOCKING BAR SECURING FEATURE DESIGNED TO FIT PRO-PLUS™ 100 SERIES CHANNELS.

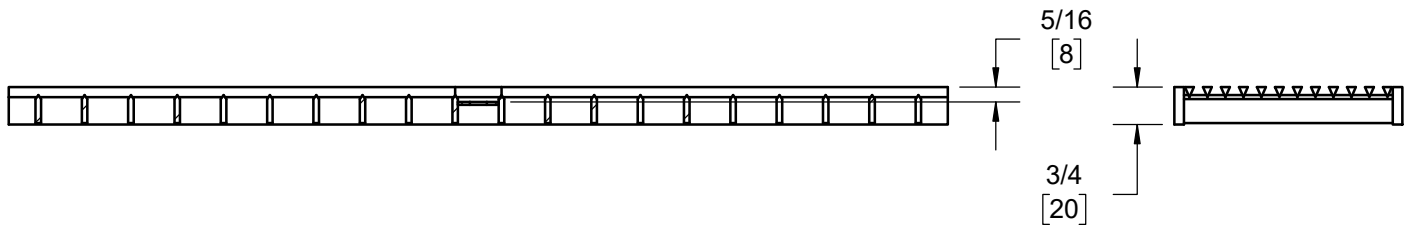
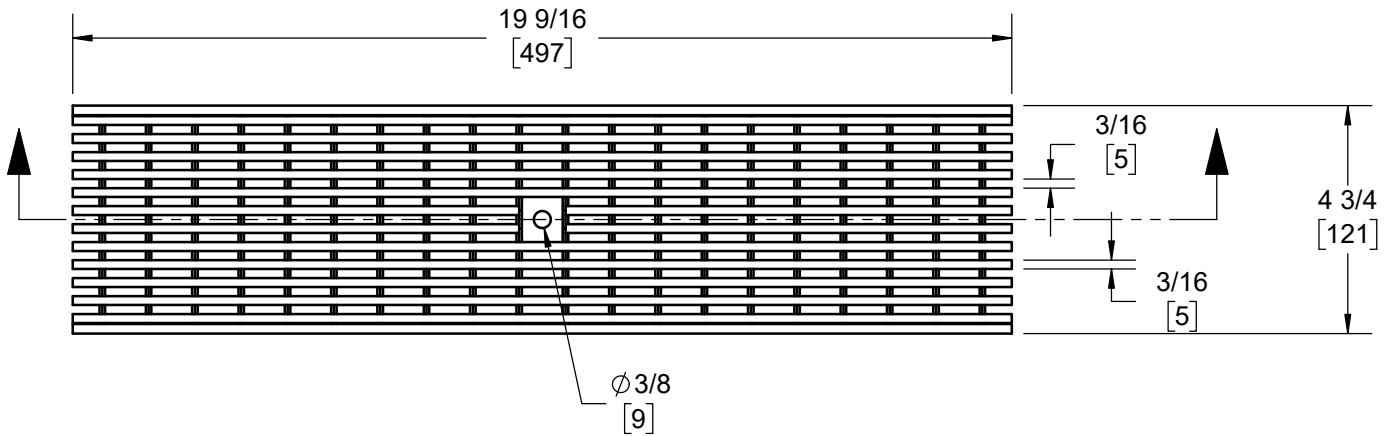
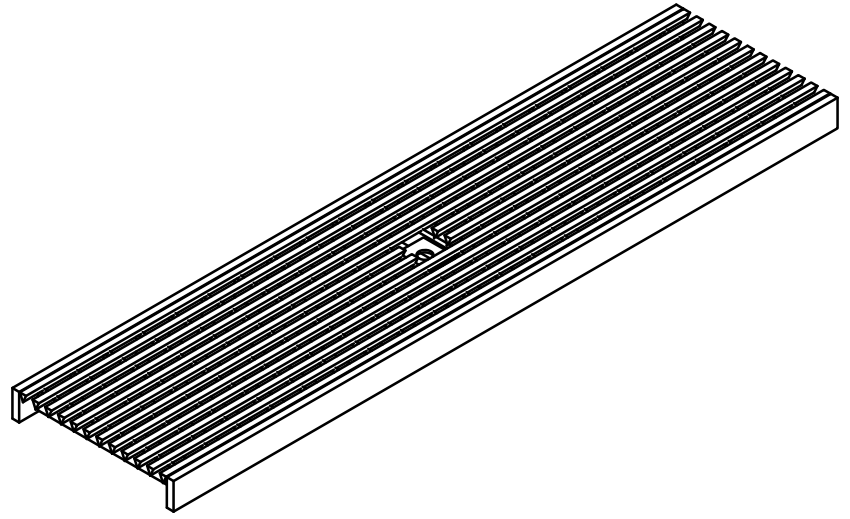
**TRENCH DRAIN GRATE**

PRO-PLUS™ 100

SERIES **100-SSWW-C**

LOAD RATINGS EN/DIN: C H20: Y

SLOT WIDTH MEETS ADA AND HEEL-PROOF REQUIREMENTS.



LOCKING BAR (ORDER SEPERATELY) 360141-FH

WARNING: Cancer and Reproductive Harm - www.P65Warnings.ca.gov

DATE OF LAST CHANGE: 6/01/23 JTJ

DIMENSIONS ARE SUBJECT TO MANUFACTURERS TOLERANCES AND CHANGE WITHOUT NOTICE. WE CAN ASSUME NO RESPONSIBILITY FOR USE OF SUPERSEDED OR VOID DATA.



NOTES